



**NEW FOR 2002  
C-40-C 40 Ton**

***Greased Lightning!***

CALL FOR  
**FREE** Conway Press  
15 Min. Video  
1-800-599-7505





Floor Press

# C-40-C

40 Ton Press

## Standard Features:

1. Touch Screen Operator Interface
  - Setup by "Jog" or "Position."
  - Program dwell at top and bottom of stroke.
  - Run modes include:
    - Manual: operate via concurrent pushbuttons or remote switch.
    - Auto Run: Timed via internal timer.
  - Countdown counter: stops press at end of run.
  - Count up counter: counts full press strokes.
  - Hour Meter.
  - Programmable pressure switch: cycle completes at set pressure.
2. Low pressure jog available during setup.
3. Infra-red concurrent touch controls. Redundant control circuit with built-in self monitoring.
4. Open frame design allows unlimited part length both front-to-rear and side-to-side.
5. Welded steel frame for maximum rigidity and minimum deflection.
6. Instant ram return when closing signal is broken.
7. E-Stop.
8. Problem stop button: stops press and returns it to mid-point of stroke and allows operator to jog press up or down to clear problem.
9. Heavy duty steel press stand with 5 in. adjustment.
10. Removable bolster X 2 in. thick.
11. Keyed supervisor's setup switch.
12. Reservoir is durable, easily accessible, servicable, 10 gallon with minimum heat rise\*. Environmentally friendly with less oil in use than most other 40 ton hydraulic presses which usually require at least 40 gallons.
13. Ample conveyor room under press.
15. 2 year warranty against manufacturer's defects! See page 10.

## Options:

- Foot control switch kit.
- Fire resistant oil and seals.
- Custom drop hole and hold down pattern.
- Custom die set adapter.
- See price sheet for additional accessories.

\* No oil cooler required under normal use.

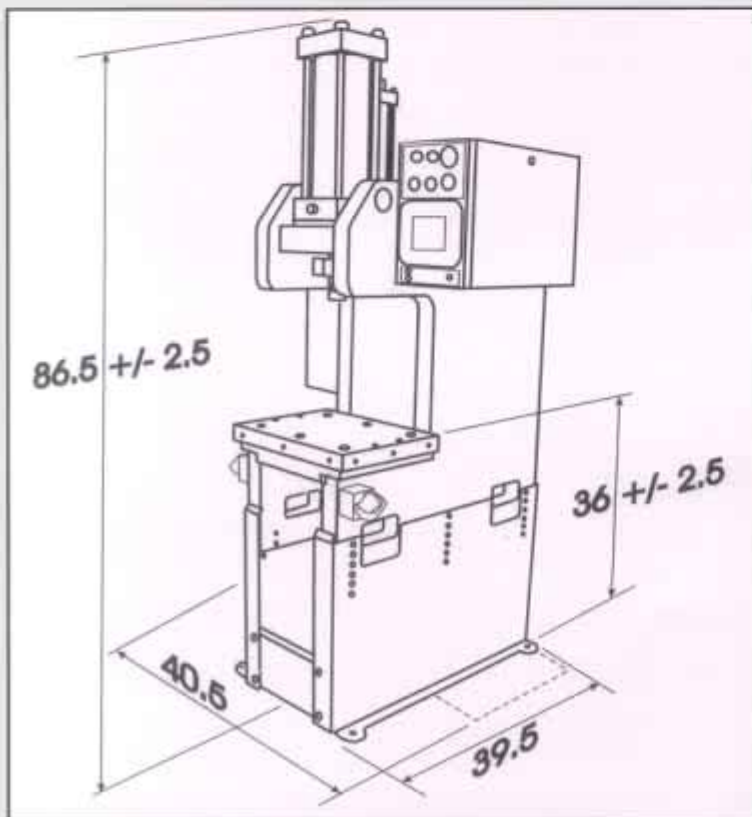
# 40 Ton Floor Press C-40-C

Easy Setup for Manual or Automatic Operation, Energy Efficient, Environmentally Friendly with Plenty of Speed with Conway's Patented 2-Speed Cylinder.



## C-40-C Control Panel Features

- Press - On, Off.
- Keyed Supervisor's Setup Switch.
- E-Stop.
- Power Unit - On, Off.
- Safety Fault Reset.
- 6 in. Touch Screen Operator Interface.
- Indicator Lights - Ram Up & Ram Down.
- Count Job Complete Indicator Light (Flashes)



## SPECIFICATIONS

• Daylight (in.)	16
• Stroke (in.)	10
• Min. Shut Ht. (in.)	6
• Bolster, L-R x F-R x Thk. (in.)	20 x 15.375 x 2
• Ram Button Dia. (in.)	2.375
• Die Adapter Bolt Cir. (in.)	4.5
• Throat Depth (in.)	8
• Working Pressure (psi)	2830
• Ram Speeds: HS Advance (ipm)	345
• Press (ipm)	43
• Retract (ipm)	358
• Pump GPM	5.3
• Motor: 108/230/460V 3 ph. 60 Hz.	7.5
• Oil Reservoir Cap. (gal.)	12
• Cylinder Bore (in.)	6
• Ram Dia. (End spooled for Die Adapter, in.)	2.125
• Dimensions:	
• w/o Stand, H x W x D (in.)	68 x 40.5 x 39.5
• On Stand, Height	86.5 +/- 2.5 Adj.
• Press Weight (lbs.)	3240
• Power Unit Weight (wet lbs.)	271
• Power Unit Dimensions (W x D x H, in.)	24 x 15 x 26.5
• Shipping Weight (lbs.) (Press + Power Unit + Dunnage)	3600



## Bench Presses Series C

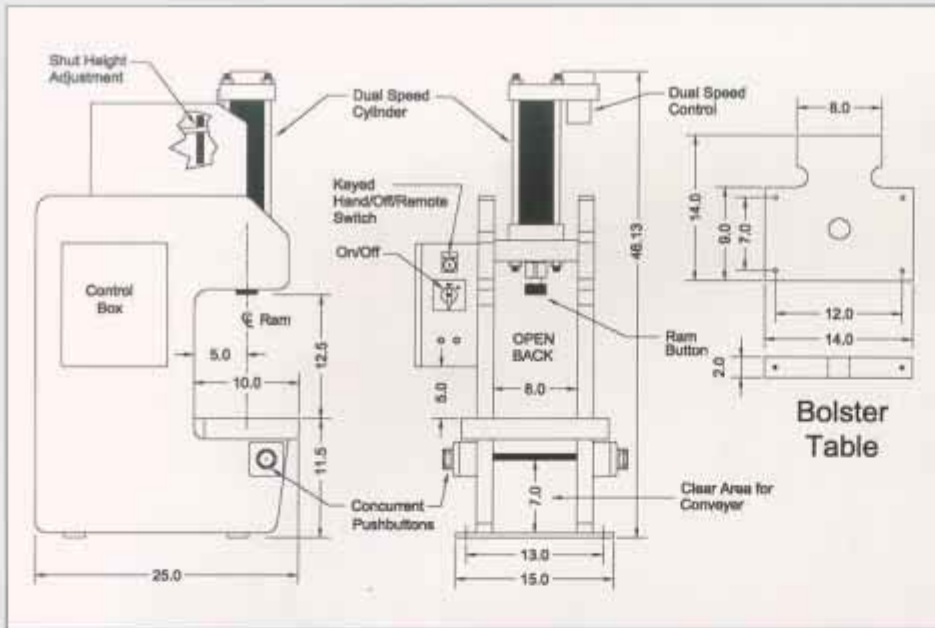
Combines all the advantages of a hydraulic press with the speed of a flywheel press.

The cylinder's piston-ram is the only load carrying moving part! There is no flywheel, clutch brake or crankshaft. Shut height and stroke are adjustable and easily set. Stalling the press causes no damage. It's quiet, fast cycling capability comes from Conway's patented, dual-speed cylinder.



### Features:

1. Dual Speed Cylinder with high speed advance and retract. See ram speeds, page 5.
2. 4 inch stroke, fully adjustable within 9 inch cylinder travel.
3. Open frame design allows unlimited part length both front-to-rear and side-to-side.
4. Welded steel frame for maximum rigidity and minimum deflection.
5. Easily adjustable ram shut-height.
6. Instant ram return when closing signal is broken.
7. Change set-up in only a few minutes.
8. Rapid, long-life, spring return with overtravel protection.
9. Bench or stand mountable.
10. Low maintenance & low power consumption.
11. Durable, easily accessible, serviceable, with 4.5 gallon oil reservoir with minimum heat rise. Environmentally friendly with less oil in use. (Most 20 ton presses require at least a 30 gal. reservoir and a 7.5 hp motor.)
12. Heavy, 2 inch thick, top and bottom plates.
13. Ample conveyor clearance under press.
14. **2 Year Warranty against manufacturer's defects.** (See page 10 for details.)



MODEL NO.	C-15-C	C-20-C	C-20-C Plus
Tons (adjustable)	15	20	20
Daylight (max. open, in.)	12.5	12.5	12.5
Stroke (adjustable, in.)	9/4	9/4	9/4
Minimum Shut Height (in.)	3.5 in.	3.5	3.5
Bolster Table (inches) L-R x F-R x Thickness	14 x 9 x 2	14 x 9 x 2	14 x 9 x 2
Ram Button Dia. (in.)	2	2	2
Throat Depth (in.)	5	5	5
Working Pressure (psi)	2,500	3,200	3,200
Ram Speeds			
Advance, IPM	780	465	780
Press, IPM	25	55	80
Retract, IPM	1,000	1,000	1,000
Pump GPM	5/1.4	3	5
Motor Horsepower 230/460 V., 3 Phase or 115 V. Single Phase	N/A 2	3 N/A	5 N/A
Tank Capacity (gallons)	4.5	4.5	10
Cylinder Bore (in.)	4	4	4
Ram Diameter (in.)	1.375	1.375	1.375
Dimensions (in.) H X W x D	45.5 x 19 x 28	45.5 x 19 x 28	45.5 x 19 x 28
Press Weight (lbs.)	525	525	525
Power Unit Weight (lbs.)	135	130	265
Shipping Weight (lbs.)	710	710	845

14 Years of daily use  
and still pressing on!

**POWER UNIT:**

- Heavy duty motor
- Durable gear pump
- Oversize suction filter
- 10 micron, screw-on return filter
- Visual oil temperature and level gauge
- Pressure gauge
- Filtered air breather
- 4-1/2 gallon oil capacity (ISO 46)

**CONTROLS:**

- All controls require 120 VAC power supply
- Two concurrent pushbuttons
- Electrical contacts available for guard
- Interlock switches
- Shut height set switch
- Keyed lock-out

**OPTIONS:**

- E-stop
- Infra-red touch controls
- Foot switch kit
- Adjustable pressure switch
- Adjustable force control
- Counter
- Press stand
- Work table
- Custom Controls Available



## Series E-20-M

20 tons

**Its piston “Floats” in the cylinder which makes it the fastest, most accurate, manually controlled, electric hydraulic press available *anywhere!***

Conway is the only press with fully valved, dual speed, hydraulic power without any air-over-oil complexities. Its patented recirculating fluid power system gives you fast positioning speed plus maximum ram pressure.

No other press can offer you such speed, flexibility, simplicity and dependability.

Once you've tried a Conway dual-speed press, you'll never be satisfied with any other.



## Features:

1. Dual speed cylinder allows rapid ram positioning and application of 20 tons of force.
2. 11 inch stroke.
3. 40 inch maximum distance, ram to table.
4. Welded steel frame for maximum rigidity and minimum deflection.
5. 30 inch clearance between uprights.
6. Instant stop on ram force when handle is released.
7. Change set-up in just a few minutes.
8. Accessory tray and two parallels are standard equipment.
9. 3/4 inch steel table support pins cannot be shaken out-of-position when press is in use. Pin support holes in 4 inch increments.
10. Easily accessible, serviceable power unit with 4 gallon oil reservoir.
11. Two, 1 inch thick, locking, 6" x 11" press table work support plates.
12. **2 Year Warranty against manufacturer's defects!**

*See Page 11 and Price Sheet for Options and Accessories.*



## SPECIFICATIONS:

### FRAME:

- Welded 5" steel channel H frame, 6" steel channel table supports.
- 30" inside side-to-side clearance.
- 40" clearance ram to table.
- Table support holes space every 4 inches.
- 3/4" high strength steel table support pins.
- Hand or wrench operated "T" nuts lock table and work plates.
- Total machine weight: 430 lbs.
- Shipping weight: 480 lbs.

### CYLINDER:

- 20 Ton force at 3,200 psi.
- Dual speed cylinder manually retracts and extends. No force is applied until ram contacts work.
- 7 inch maximum ram travel.
- 11 inch maximum working stroke
- Hard chrome plated, 1-3/8 inch diameter, heat-treated ram with 1 inch diameter tool mounting stud.

### POWER UNIT:

- 1 gpm gear pump
- 2 HP, 3 phase or 1-1/2 HP single phase, totally enclosed motor.
- Oversize suction filter.
- 10 micron, screw-on, return filter.
- Visual oil temperature and level gauge.
- Pressure relief valve set at 3,200 psi.
- Pressure gauge.
- Filtered air breather.
- 4-1/2 gallon oil capacity (ISO 46)

### CONTROLS:

- All controls require 120 VAC supply.
- Fully adjustable hand control lever.
- Simple height control method allows quick set-up and repeat operations to .005".



Bench Presses

## Series F-5-P

5 tons

Combines Conway's "fingertip control" with all the advantages of a rack and pinion arbor press in a 5 ton hydraulic press.

Just position the ram against your work with the gear rack...only then, with "fingertip control" does the hydraulic system come into play, applying an easily adjustable force from 0 to 5 tons.



### Specifications:

1. 0 to 14 inch ram travel.
2. Variable "fingertip" force control from 0 to 10,000 lbs.
3. Adjustable pressure control valve located with gauge.
4. 11.5 inch clearance side-to-side.
5. 14.5 inch maximum opening (daylight)
6. 5.625 inch clearance front-back (between posts)
7. 1" x 8" x 10" bolster plate.
8. 2" center hole in base plate.
9. Weight: 245 lbs.  
Shipping Weight: 285 lbs.

### Features:

1. Compact. Suitable for bench mounting.
2. Four-post, full-view steel frame.
3. Fast, easy ram return with gear-rack.
4. Safe. No hand guards required.
5. Frame mounted power unit.
6. Change set-up in minutes.
7. Easy, low maintenance.
8. Easily accessible, serviceable 1 gallon oil reservoir, 1 HP, 1/2 gpm 120 VAC direct-drive gear pump.
9. **2 Year Warranty against manufacturer's defects! See Page 10.**





# About Us

Conway Press began manufacturing high quality, low maintenance, production presses in 1978. Since then, Conway Press has been issued several patents for its dual speed hydraulic cylinders which are now sold as part of its high speed hydraulic presses.

Conway Press produces its presses in South Carolina with all US made parts. Their presses have proven themselves to be very reliable, easy to use, cost effective, and safe. Retooling during the last several years has cut normal delivery time down to 2 to 3 weeks and has allowed Conway Press to offer a 2 year warranty on their presses.

Conway's hydraulic presses provide distinct advantages over mechanical and other hydraulic presses. They are being used by multinational corporations in a wide range of industries including boating, automobiles, motorcycles, amusement parks, and building structures.





# Terms and Conditions

## Credit Terms

To obtain an open account with DANNCO/Conway Press, buyer must return a completed and signed DANNCO Credit Application along with, or prior to, the first purchase order. Please include a copy of your state sales tax exemption certificate for manufacturing machinery. Customer will be notified via fax as to credit status when a sufficient number of references are returned. A DANNCO Credit Application can be downloaded from our web site or we can fax one to you upon request.

## Payment terms

Terms for open accounts: 2% 10 days, net 30, unless otherwise specified.

Payments should be made to: DANNCO, LLC  
163 Green Pines Rd.  
Columbia, SC 29212

## Shipping

FOB Columbia, SC 29212

UPS where possible and will be insured only at the customer's request. Yellow Freight Systems is our preferred motor freight carrier and will be used unless the customer requests otherwise.

## Limited Warranty

Conway Press warrants against manufacturing defects in material and workmanship under normal use for a period of two (2) years from date of shipment to customer. Components purchased from outside sources (vendors) are covered by their respective warranties. Conway Press will assist the customer to ensure the fulfillment of the vendor's warranties.

This warranty does not cover parts, components or materials determined to be faulty due to abuse, misuse or use not in accordance with provided manuals and literature supplied with the system.

Conway Press will repair or check its patented, two-speed cylinders at no charge to the customer for a period of two (2) years from date of purchase provided that the cylinder has not been disassembled, the cylinder has not been unnecessarily abused, and the piston rod has not been nicked or damaged. The customer must pay transportation to and from Conway Press. This service will continue after the initial two year period with a nominal service charge.

In no event shall Conway Press's liability under this warranty exceed the purchase price paid for the product and any legal actions brought against Conway Press shall be tried in the State of South Carolina, County of Lexington. Conway Press shall in no event be liable for death or injuries to persons or property for incidental, contingent, special or consequential damages arising from the use of our products.

Conway Press makes every effort to ensure that our products meet high quality and durability standards and hope you will never need to use this warranty.

# Options



## Pressure Control Switch

Works in unison with the **Adjustable Force Control** to set the tonnage at which the press "returns."  
(For C-15 & 20-C)



## Adjustable Force Control

Easily adjusts the tonnage of press.  
(For C-15 & 20-C, E-20-M)



## Banner Infrared Palm Buttons

"Zero Force" concurrent palm buttons. Replaces the standard palm button controls.  
(2 required)  
(For C-15 & 20-C)

## Custom Base

Built to give you the desired working height of lower bolster from floor. Power unit mounts in rear of base.  
(For C-15 & 20-C)



## Cycle Counter

Counts complete press cycles. Thumbwheel reset. Not for field installation.  
(For C-15 & 20-C)



**See Price Sheet for More Options.**



## Foot Control Kit

For remote operation of press where pinch points are fully guarded. Field installation only.  
(For C-15 & 20-C, C-40-C)



## Work Table

Sturdy 23.5" x 46" x 0.25" thk. steel conveniently wraps around bolster for work support.  
(For C-15 & 20-C)



## Fire Resistant Oil and Seals

(For all presses in this catalog.)



*Discover the Hydraulic Presses that Rival the Speeds of Mechanical Presses.*



## **Conway Press**

163 Green Pines Rd., Columbia, SC 29212

800-599-7505

Fax 803-798-6584

[www.conwaypress.com](http://www.conwaypress.com)

e-mail: [sales@conwaypress.com](mailto:sales@conwaypress.com)



## PRICE LIST

March 1, 2002

Conway Press  
 163 Green Pines Rd.  
 Columbia, SC 29212  
 800-599-7505  
 803-798-4000  
 Fax 803-798-6584  
[www.conwaypress.com](http://www.conwaypress.com)  
[sales@conwaypress.com](mailto:sales@conwaypress.com)

### PRESSES

PartNo	Description	Price US\$ <sup>1</sup>
CPC1-1000	C-15-C Conway Press 120/240v 1 ph.	11,193.00
CPC3-1000	C-20-C Conway Press 230/480v 3 ph.	10,647.00
CPC3-1005	C-20-C Plus Conway Press 230/480v 3 ph.	12,163.00
CPC3-4000	C-40-C Conway Press 230/480v 3 ph.	36,997.00
CPE1-1000	E-20-M Conway Press 120/240v 1 ph.	7,277.00
CPE3-1000	E-20-M Conway Press 220/440v 3 ph.	7,122.00
CPF1-1000	F-5-P Conway Press 110/220v 1 ph.	5,229.00

### Options for Above Presses

			For presses:
4CP00200	Adjustable Force Control	306.00	C-15&20-C, E
4CP00201	Foot Control Kit	208.00	C-15, 20, &40-C
4CP00202	Pressure Control Switch	485.00	C-15&20-C
2CP60232	Cycle Counter	229.00	C-15&20-C
2CP60233	Banner Infra Red Switch, ea. ( 2 required)	189.00	C-15&20-C
4CP00035	C Press Work Table Assembly	524.00	C-15&20-C
2CP00019	Press Stand with Mount for Powerpack	450.00	C-15&20-C
4CP00040	Fire Resistant Oil & Seals	294.00	All presses

### Accessories for E-20-M<sup>2</sup>

2CP00015	X-12 Force Button, 1 3/4" dia. Ram End Piece	16.00	E
2CP00023	X-21 Accessory Tray	184.00	E
2CP00024	X-4 Male V Break Die, 1 3/4" sq. x 18"	46.00	E
2CP00027	X-7 Block with two 90 deg. V's, 1 1/2"x 4" x 4"	104.00	E
2CP00028	X-8 Triangular Male V Block, 5"	31.00	E
3CP00021	X-1 Base Plate for E-Press, 1"x10"x12"	34.00	E
3CP00022	X-2 Parallels, 1 3/4" sq. x 9" ( 2 required)	19.00	E
3CP00025	X-5 Male Break Die Piece, 2" dia. x 16"	21.00	E
3CP00026	X-6 Female Die Piece, 4" ship channel x 6"	17.00	E
4CP00023	X-3 90 deg. Female Break Die	68.00	E
4CP00029	X-9 Ram End Piece, 90 deg. Female V	56.00	E
4CP00032	X-10 Ram End Piece, 90 deg V male	49.00	E
4CP00034	X-11 Ram End Piece, 1 3/4" dia. Round	43.00	E

1. Prices subject to change without notice.

2. A complete description of E-20-M accessories may be found on our website at [http://www.conwaypress.com/product\\_accessories.html](http://www.conwaypress.com/product_accessories.html)