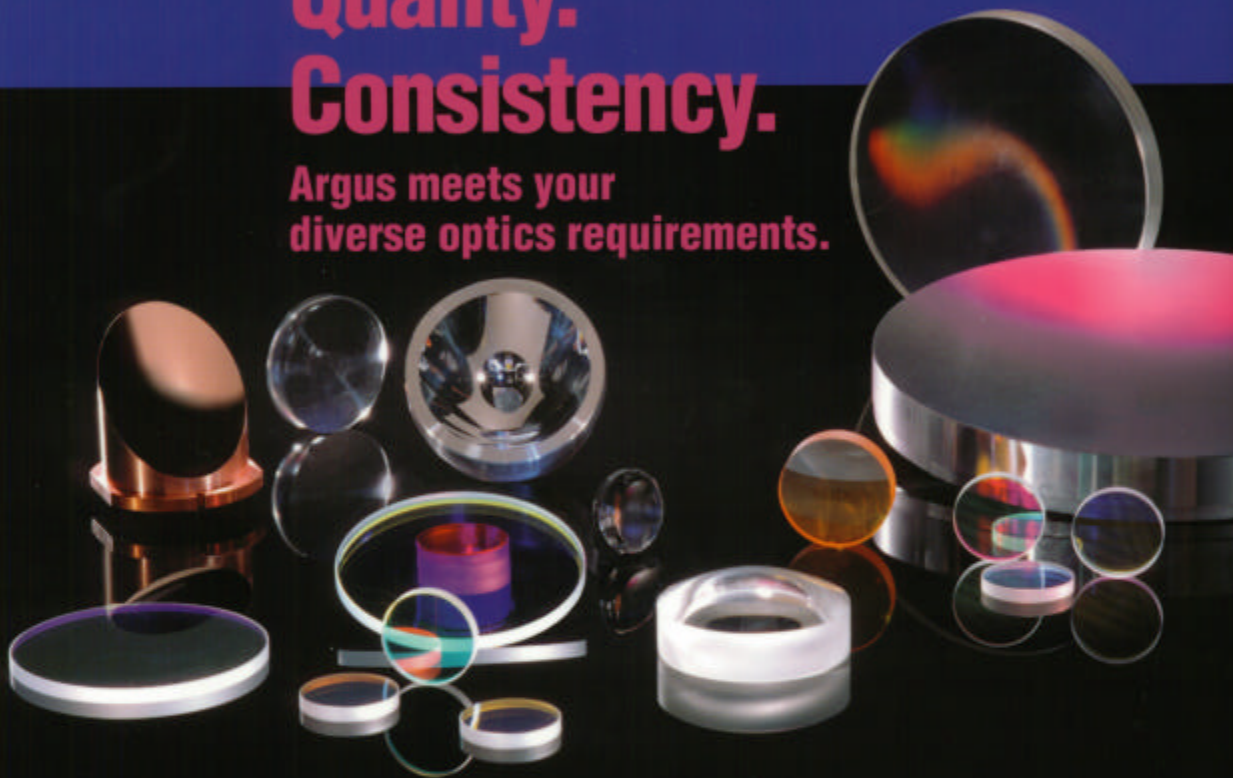


Precision. Quality. Consistency.

Argus meets your
diverse optics requirements.



NEW LINE OF CCD LENSES!!!

Your Opto-electronic application demands flawlessly-designed, ultra-precise optical elements from the most reliable source.

Our company is committed to accurately and consistently manufacturing a variety of lenses, coatings and mirrors. All optics requirements, from simple to the most complex designs, will be delivered to your specifications, on time.



Argus International, Ltd.

5403 Scotts Valley Dr.
Scotts Valley, CA 95066
Tel: 831-461-4700
831-461-4702
Fax: 831-461-4701
argus@argusinternational.com
Internet: www.argusinternational.com

As your precision optics specialist we provide:

- Aspherical lenses
- Cylindrical lenses
- Multi-layer lens and mirror coatings for laser applications
- Filters
- Mirrors, half mirrors
- Beamsplitters
- Exotic materials such as CaF₂ and Germanium
- Diamond turning
- Full assemblies
- Superior design and technical support

Call Argus International, Ltd. today for more information and a FREE evaluation of your lens requirements.

1-800-862-7487



PRECISION OPTICS MANUFACTURING

Aspherical Hybrid Plastic Lenses



We offer a variety of precision miniature plastic injection molded optics for a diversity of applications, such as high resolution CCD Camera Lens Systems using plastic aspherical lenses with very short focal lengths.

Our newly developed Aspherical Hybrid Plastic Lens system for CCD video camera systems for video conferencing or similar applications, will improve the image resolution and will decrease distortion or chromatic aberration in a very cost-effective way.

Using our Aspherical Hybrid Plastic Lenses will help you considerably to reduce the number of optical elements needed in a CCD camera lens system, resulting in improved performance at substantial cost savings in most designs.

In the following pages, you will find our most common in stock lens designs. We are also offering design consultation to solve any difficulty you encounter during project development.

5403 SCOTTS VALLEY DRIVE A SUITE C A SCOTTS VALLEY, CA 95066

PHONE: 800 862-7487 FAX: 831 461-4701

E-MAIL: argus@argusinternational.com



CATALOG CONTENTS

I. Aspherical Hybrid Plastic Lenses -

Model List	...5
Models:	
AIL60060IG2V	...6
AIL60060IG1V	...7
AIL43060IG2V	...8
AIL43078IG4V	...9
AIL70060IG3V	...10
AIL80040SG4V	...11
AIL36092SG1V	...12
AIL36092SG4V	...13
AIL31120SG3V	...14
AIL56060IP1V	...15
AIL43050IP1V	...16
AIL65055IG1V	...17
AIL73055IG1V	...18

5403 SCOTTS VALLEY DRIVE A SUITE C A SCOTTS VALLEY, CA 95066
PHONE: 800 862-7487 A FAX: 408 461-4701
E-MAIL: argus@argusinternational.com



PRECISION OPTICS MANUFACTURING

CATALOG CONTENTS

I. Aspherical Hybrid Plastic Lenses (Cont.)-

Models:

AIL79055IG1V	...19
AIL46056IG1V	...20
AIL3720Q1S	...21
AIL3731S	...22
AIL4020QS	...23
AIL4022S	...24
AIL4725DS	...25
AIL5425S	...26
AIL6226S	...27
AIL7720QS	...28
AIL7820PTS	...29
AIL7828S	...30
AIL 9026S	...31
AIL39092SG1	...32
Contact Information	...33

5403 SCOTTS VALLEY DRIVE A SUITE C A SCOTTS VALLEY, CA 95066

PHONE: 800 862-7487 A FAX: 408 461-4701

E-MAIL: argus@argusinternational.com

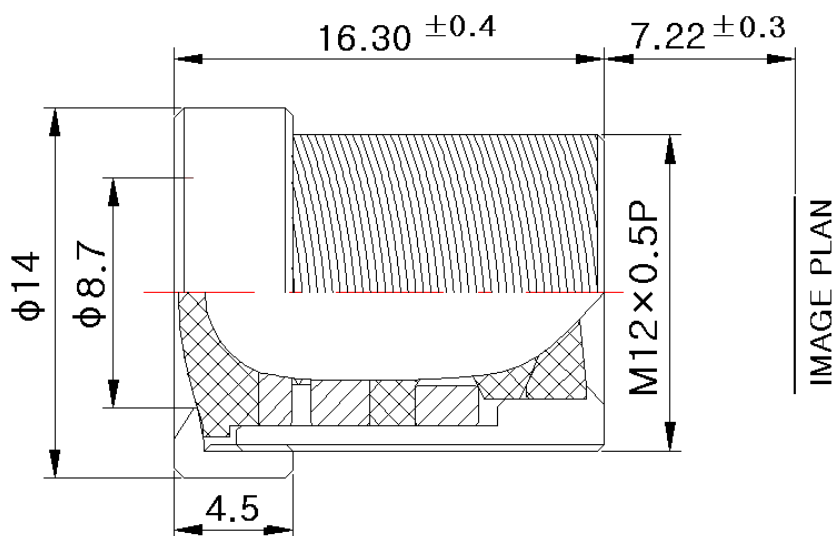
Model List



Model	View Angle	Focal Length	Back Focal Length	Aperture (Fixed Iris)	Lens Construction	Lens Dimension	Mount Dimension
AIL3720Q1S	(1/3") 92 deg.	3.7 mm	6.1042 mm	F# 2.0	3 Groups / 4 Elements	dia. 14 x 13.99 mm	M12 x 0.5 P
AIL3731S	(1/4") 63 deg. ; (1/5") 52 deg.	3.7 mm	4.204 mm	F# 3.1	1 Group / 1 Element	dia. 14 x 8.0 mm	M12 x 0.5 P
AIL4020QS	(1/3") 101 deg.	4.0 mm	6.424 mm	F# 2.0	3 Groups / 4 Elements	dia. 14 x 14.8734	M12 x 0.5 P
AIL4022S	(D=4.6 mm) 60 deg.	4.0 mm	4.526 mm	F# 2.2	2 Groups / 2 Elements	dia. 14 x 8.0 mm	M12 x 0.5 P
AIL4725-DS	(1/4") 48 deg.	4.7 mm	5.7426 mm	F# 2.5	Single Element	dia. 14 x 8.00 mm	M12 x 0.5 P
AIL5425S	(1/4", D=6.0 mm) 60 deg.	5.4 mm	5.5359 mm	F# 2.5	4 Groups / 4 Elements	dia. 15 x 9.52 mm	M12 x 0.5 P
AIL6226S	(1/4") 53 deg.	6.2 mm	4.53 mm	F# 2.6	4 Groups / 4 Elements	dia. 15 x 8.93 mm	M12 x 0.5 P
AIL7720QS	(D=7.2 mm) 49.5 deg.	7.8 mm	5.2014 mm	F# 2.0	4 Groups / 4 Elements	dia. 14 x 10 mm	M12 x 0.5 P
AIL7820PTS	(D=8 mm) 55 deg. ; (D=7.2 mm) 49 deg.	7.8 mm	7.276 mm	F# 2.0	5 Groups / 5 Elements	dia. 14 x 16.45 mm	M12 x 0.5 P
AIL7828PTS	(1/2") 55 deg. ; (1/3") 49 deg.	7.8 mm	7.27 mm	F# 2.8	5 Groups / 5 Elements	dia. 14 x 16.35 mm	M12 x 0.5 P
AIL60060IG2V	CMOS (1/3") 60 deg.	6.0 mm	8.17 mm	F# 1.8	A2/G2/NIR	16.30 mm	M12 x 0.5 P
AIL60060IG1V	(1/3") 60 deg.	6.00 mm	6.46 mm	F# 2.0	A3/G1/NIR	14.40 mm	M12 x 0.5 P
AIL43060IG2V	(1/4") 60 deg.	4.30 mm	5.13 mm	F# 2.0	A2/G2/NIR	16.90 mm	M12 x 0.5 P
AIL43078IG4V	(1/3") 78 deg. ; (1/4") 60 deg	4.30 mm	6.47 mm	F# 2.0	G4/NIR	17.10 mm	M12 x 0.5 P
AIL70060IG3V	CMOS (1/3") 55 deg.	7.00 mm	5.19 mm	F# 1.8	A1/G3/NIR	14.10 mm	M12 x 0.5 P
AIL80040SG4V	(1/3") 40 deg.	8.00 mm	5.09 mm	F# 2.0	G4	13.50 mm	M12 x 0.5 P
AIL36092SG1V	(1/3") 92 deg.	3.60 mm	4.90 mm	F# 2.4	A3/G1	16.40 mm	M12 x 0.5 P
AIL36092SG4V	(1/3") 92 deg.	3.60 mm	5.48 mm	F# 2.0	G4	15.29 mm	M12 x 0.5 P
AIL31120SG3V	(1/3") 120 deg.	3.10 mm	5.30 mm	F# 2.4	A1/G3	16.37 mm	M12 x 0.5 P
AIL56060IP1V	(1/3") 60 deg.	5.58 mm	5.84 mm	F# 2.4	A1/NIR	12.10 mm	M12 x 0.5 P
AIL43050IP1V	(1/4") 50 deg.	4.35 mm	4.54 mm	F# 2.4	A1/NIR	11.40 mm	M12 x 0.5 P
AIL65055IG1V	CMOS (6.0) 55 deg.	6.50 mm	7.96 mm	F# 2.4	A1/G1/NIR	12.94 mm	M12 x 0.5 P
AIL73055IG1V	CMOS (6.72) 55 deg.	7.27 mm	9.28 mm	F# 2.4	A1/G1/NIR	12.29 mm	M12 x 0.5 P
AIL79055IG1V	CMOS (7.5) 55 deg.	7.90 mm	10.19 mm	F# 2.4	A1/G1/NIR	12.00 mm	M12 x 0.5 P
AIL46056IG1V	CMOS (1/4") 56 deg.	4.63 mm	4.95 mm	F# 2.8	A1/G1/NIR	12.33 mm	M12 x 0.5 P
AIL9026S	(D = 10 mm) 57 deg.	9.0 mm	5.5135 mm	F# 2.6	5 Groups / 5 Elements	dia. 14 x 13.92 mm	M12 x 0.5 P
AIL39092SG1V	CMOS(6.0, 4.0, 3.6, 3.4)95.4, 60.6, 54.3, 51.2deg.	3.90 mm	5.11 mm	F#2.4, 2.8	A1/G1	6.99 mm	M12 x 0.5 P

* Pricing and Delivery information available by request

AIL60060IG2



SPECIFICATION

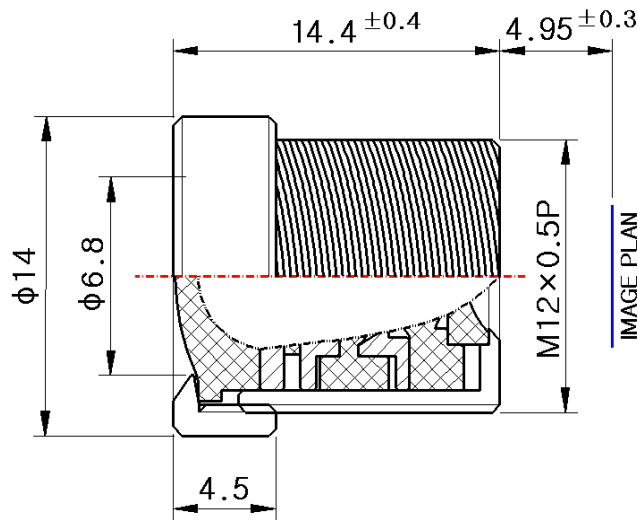
No	Model : AIL60060IG2	
1	Sensing Area	f 7.2
2	Full Field Angle	60°
3	Optical Distortion	-13.09 %
4	Focal Length	6.60 mm
5	Back Focal Length	8.17 mm
6	Flange Back Length	7.22 mm
7	F/#	1.8
8	Iris	Fixed
9	Focus Extension	10 mm ~ ∞
10	Diameter (Thread)	M12 × 0.5 Pitch
11	Length	16.30 mm
12	Lens Construction	2 Aspheric ,2 Glass Lenses & I.R filter (Total 5 Elements)

[Return to Table of Contents](#)

[Return to Model List](#)

Argus International, Ltd.

AIL60060IG1



SPECIFICATION

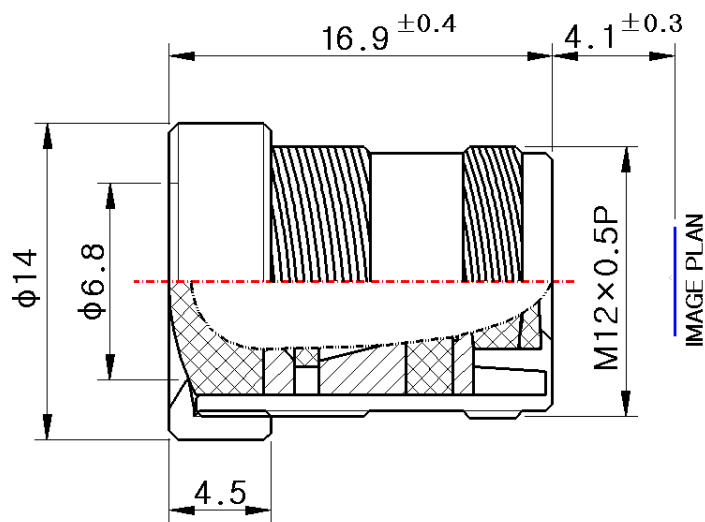
No	Model : AIL60060IG1	
1	Sensing Area	1/3 ''
2	Full Field Angle	60°
3	Optical Distortion	-3.32 %
4	Focal Length	6.00 mm
5	Back Focal Length	6.46 mm
6	Flange Back Length	4.95 mm
7	F/#	2.0
8	Iris	Fixed
9	Focus Extension	10 mm ~ ∞
10	Diameter (Thread)	M12 x 0.5 Pitch
11	Length	14.4 mm
12	Lens Construction	3 Aspheric & 1 Glass Lenses & IR filter (Total 5 Elements)

[Return to Table of Contents](#)

[Return to Model List](#)

Argus International, Ltd.

AIL43060IG2



SPECIFICATION

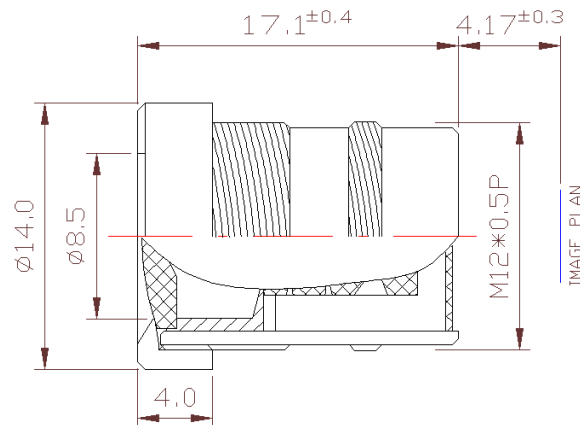
No	Model : AIL43060IG2	
1	Sensing Area	1/4 ''
2	Full Field Angle	60°
3	Optical Distortion	-6.6 %
4	Focal Length	4.30 mm
5	Back Focal Length	5.13 mm
6	Flange Back Length	4.10 mm
7	F/#	2.0
8	Iris	Fixed
9	Focus Extension	10 mm ~ ∞
10	Diameter (Thread)	M12 × 0.5 Pitch
11	Length	16.9 mm
12	Lens Construction	2 Aspheric & 2 Glass Lenses & IR filter (Total 5 Elements)

[Return to Table of Contents](#)

[Return to Model List](#)

Argus International, Ltd.

AIL43078IG4



SPECIFICATION

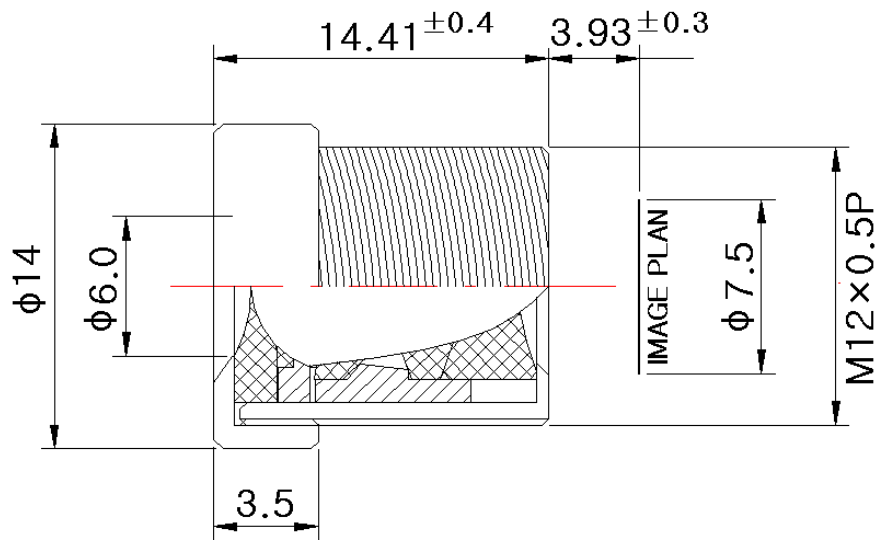
No	Model : AIL43078IG4	
1	Sensing Area	1/3 " , 1/4 "
2	Full Field Angle	78° , 60°
3	Optical Distortion	- 21.5% , -11.6%
4	Focal Length	4.30 mm
5	Back Focal Length	6.47 mm
6	Flange Back Length	4.17 mm
7	F/#	2.0
8	Iris	Fixed
9	Focus Extension	10 mm ~ ∞
10	Diameter (Thread)	M12 × 0.5 Pitch
11	Length	17.10 mm
12	Lens Construction	4 Glass Lenses & IR filter (Total 5 Elements)

[Return to Table of Contents](#)

[Return to Model List](#)

Argus International, Ltd.

AIL70060IG3



SPECIFICATION

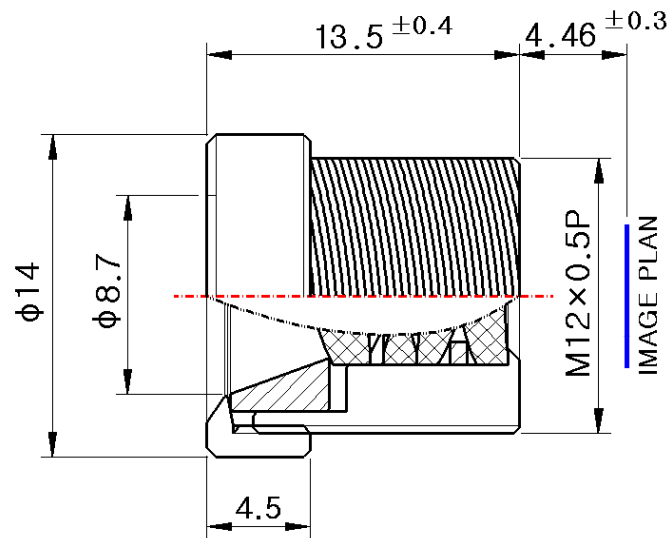
No	Model : AIL70060IG3	
1	Sensing Area	f 6.46, f 6.72, f 7.2, f 7.5
2	Full Field Angle	53.3°, 55.6°, 59.9°, 62.6°
3	Optical Distortion	-9.7 %, -10.6%, -12.4 %, -13.5 %
4	Focal Length	7.00 mm
5	Back Focal Length	5.19 mm
6	Flange Back Length	3.93 mm
7	F/#	1.8
8	Iris	Fixed
9	Focus Extension	10 mm ~ ∞
10	Diameter (Thread)	M12 × 0.5 Pitch
11	Length	14.41 mm
12	Lens Construction	1 Aspheric ,3 Glass Lenses & I.R filter (Total 5 Elements)

[Return to Table of Contents](#)

[Return to Model List](#)

Argus International, Ltd.

AIL80040SG4



SPECIFICATION

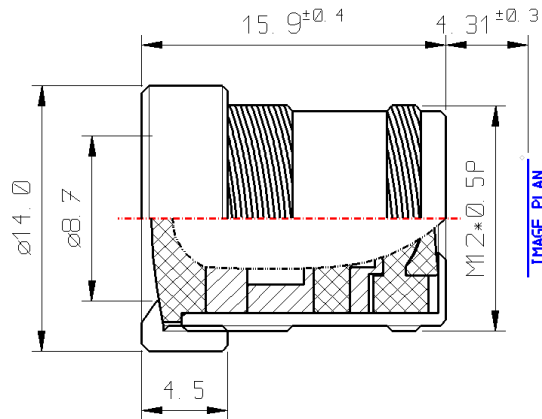
No	Model : AIL80040SG4	
1	Sensing Area	1/3 "
2	Full Field Angle	40 °
3	Optical Distortion	-4.21%
4	Focal Length	8.0 mm
5	Back Focal Length	5.09 mm
6	Flange Back Length	4.46 mm
7	F/#	2.0
8	Iris	Fixed
9	Focus Extension	10 mm ~ ∞
10	Diameter (Thread)	M12 × 0.5 Pitch
11	Length	13.5 mm
12	Lens Construction	4 Glass Lenses (Total 4 Elements)

[Return to Table of Contents](#)

[Return to Model List](#)

Argus International, Ltd.

AIL36092SG1



SPECIFICATION

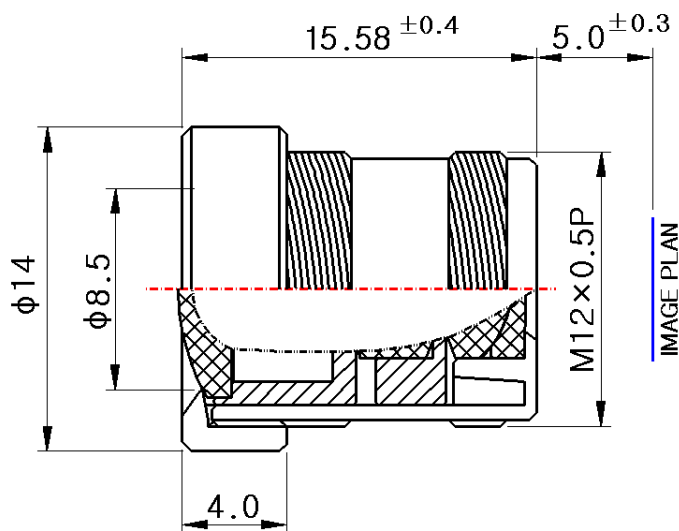
No	Model : AIL36092SG1	
1	Sensing Area	1/3 "
2	Full Field Angle	92 °
3	Optical Distortion	-27.3 %
4	Focal Length	3.60 mm
5	Back Focal Length	4.90 mm
6	Flange Back Length	4.31 mm
7	F/#	2.4
8	Iris	Fixed
9	Focus Extension	10 mm ~ ∞
10	Diameter (Thread)	M12 × 0.5 Pitch
11	Length	15.9 mm
12	Lens Construction	3 Aspheric & 1 Glass Lenses (Total 4 Elements)

[Return to Table of Contents](#)

[Return to Model List](#)

Argus International, Ltd.

AIL36092SG4



SPECIFICATION

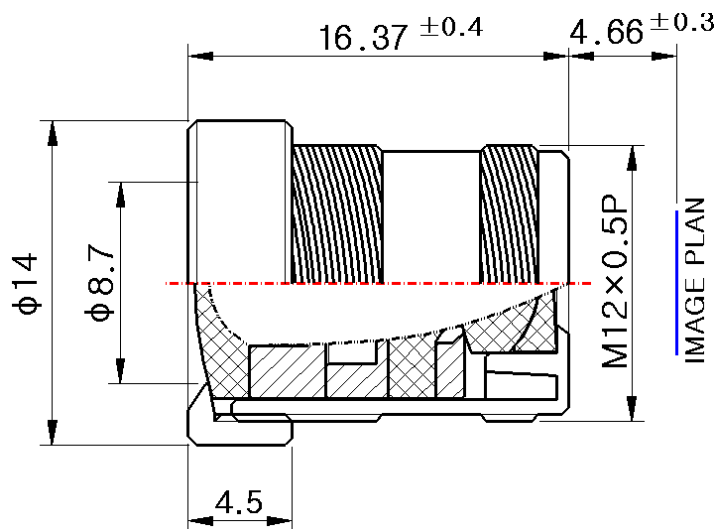
No	Model : AIL36092SG4	
1	Sensing Area	1/3 ''
2	Full Field Angle	92°
3	Optical Distortion	-31.6 %
4	Focal Length	3.60 mm
5	Back Focal Length	5.48 mm
6	Flange Back Length	5.00 mm
7	F/#	2.0
8	Iris	Fixed
9	Focus Extension	10 mm ~ ∞
10	Diameter (Thread)	M12 × 0.5 Pitch
11	Length	15.58 mm
12	Lens Construction	4 Glass Lenses (Total 4 Elements)

[Return to Table of Contents](#)

[Return to Model List](#)

Argus International, Ltd.

AIL31120SG3



SPECIFICATION

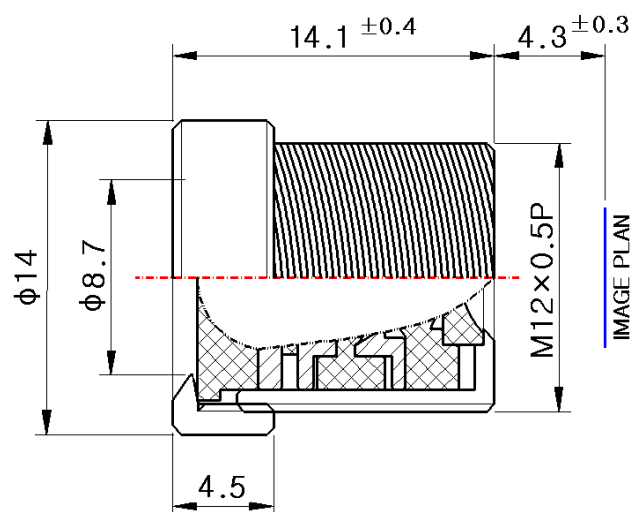
No	Model : AIL31120SG3	
1	Sensing Area	1/3 ''
2	Full Field Angle	120 °
3	Optical Distortion	-44.2 %
4	Focal Length	3.10 mm
5	Back Focal Length	5.30 mm
6	Flange Back Length	4.66 mm
7	F/#	2.4
8	Iris	Fixed
9	Focus Extension	10 mm ~ ∞
10	Diameter (Thread)	M12 × 0.5 Pitch
11	Length	16.37 mm
12	Lens Construction	1 Aspheric & 3 Glass Lenses (Total 4 Elements)

[Return to Table of Contents](#)

[Return to Model List](#)

Argus International, Ltd.

AIL56060IP1



SPECIFICATION

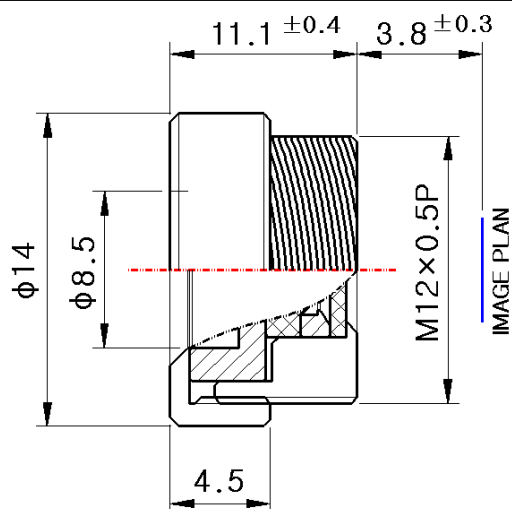
No	Model : AIL56060IP1	
1	Sensing Area	1/3 " , 1/4 "
2	Full Field Angle	60° , 50°
3	Optical Distortion	-7.7 %
4	Focal Length	5.58 mm
5	Back Focal Length	5.84 mm
6	Flange Back Length	4.30 mm
7	F/#	2.4
8	Iris	Fixed
9	Focus Extension	10 mm ~ ∞
10	Diameter (Thread)	M12 × 0.5 Pitch
11	Length	14.1 mm(Available to 12.1mm)
12	Lens Construction	1 Aspheric & IR filter (Total 2 Elements)

[Return to Table of Contents](#)

[Return to Model List](#)

Argus International, Ltd.

AIL43050IP1



SPECIFICATION

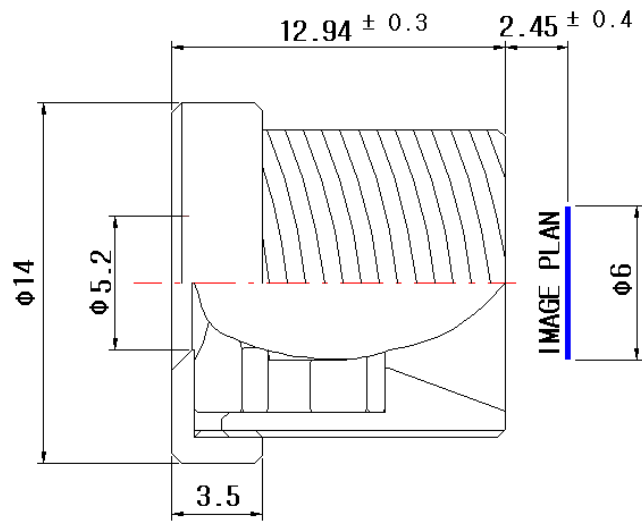
No	Model : AIL43050IP1	
1	Sensing Area	1/4 ”
2	Full Field Angle	50°
3	Optical Distortion	-7.5 %
4	Focal Length	4.35 mm
5	Back Focal Length	4.54 mm
6	Flange Back Length	3.80 mm
7	F/#	2.4
8	Iris	Fixed
9	Focus Extension	10 mm ~ ∞
10	Diameter (Thread)	M12 × 0.5 Pitch
11	Length	11.1 mm
12	Lens Construction	1 Aspheric & IR filter (Total 2 Elements)

[Return to Table of Contents](#)

[Return to Model List](#)

Argus International, Ltd.

AIL65055IG1



SPECIFICATION

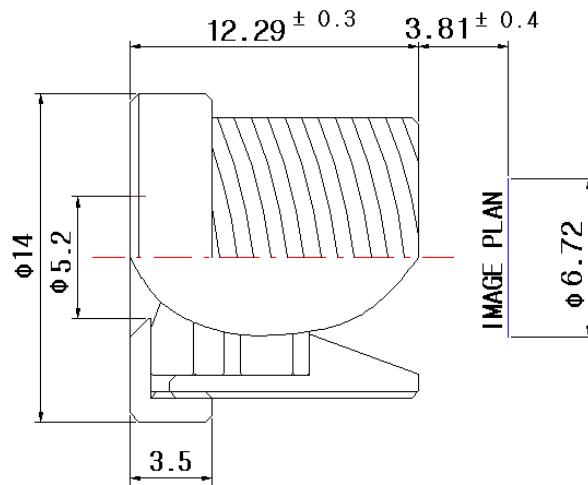
No	Model : AIL65055IG1	
1	Sensing Area	f 6.0
2	Full Field Angle	55°
3	Optical Distortion	-10.57 %
4	Focal Length	6.5 mm
5	Back Focal Length	7.96 mm
6	Flange Back Length	2.45 mm
7	F/#	2.4
8	Iris	Fixed
9	Focus Extension	10 mm ~ ∞
10	Diameter (Thread)	M12 × 0.5 Pitch
11	Length	12.94 mm
12	Lens Construction	1 Aspheric ,1 Glass Lenses & I.R filter (Total 3 Elements)

[Return to Table of Contents](#)

[Return to Model List](#)

Argus International, Ltd.

AIL73055IG1



SPECIFICATION

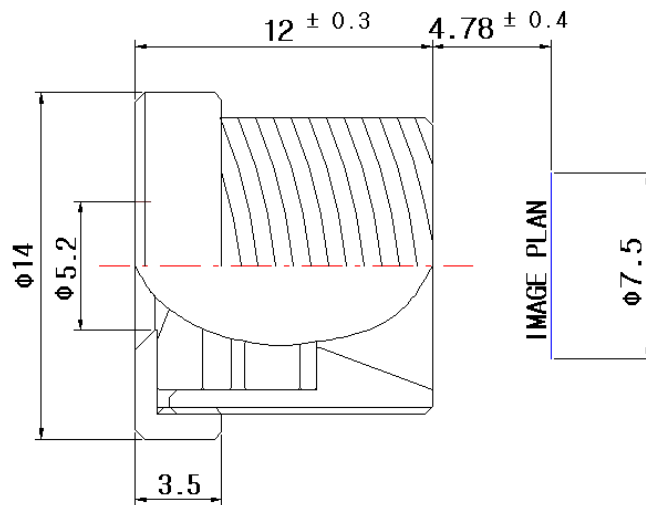
No	Model : AIL73055IG1	
1	Sensing Area	f 6.72
2	Full Field Angle	55°
3	Optical Distortion	-10.49 %
4	Focal Length	7.27 mm
5	Back Focal Length	9.28 mm
6	Flange Back Length	3.81 mm
7	F/#	2.4
8	Iris	Fixed
9	Focus Extension	10 mm ~ ∞
10	Diameter (Thread)	M12 × 0.5 Pitch
11	Length	12.29 mm
12	Lens Construction	1 Aspheric ,1 Glass Lenses & I.R filter (Total 3 Elements)

[Return to Table of Contents](#)

[Return to Model List](#)

Argus International, Ltd.

AIL79055IG1



SPECIFICATION

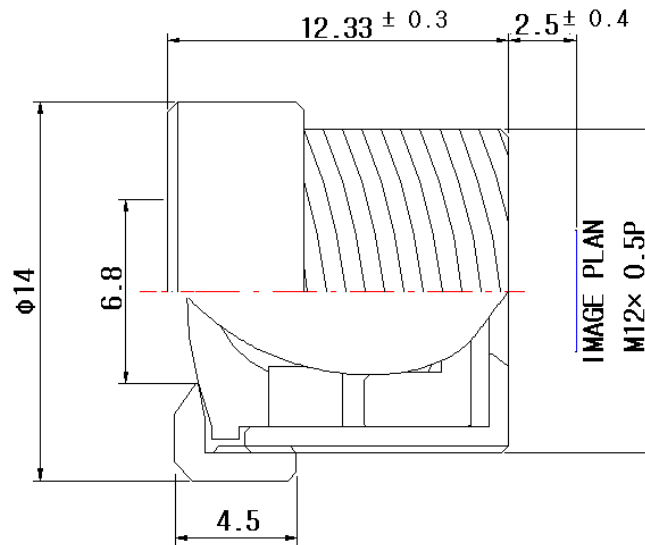
No	Model : AIL79055IG1	
1	Sensing Area	f 7.5
2	Full Field Angle	55°
3	Optical Distortion	-10.74 %
4	Focal Length	7.9 mm
5	Back Focal Length	10.19 mm
6	Flange Back Length	4.78 mm
7	F/#	2.4
8	Iris	Fixed
9	Focus Extension	10 mm ~ ∞
10	Diameter (Thread)	M12 × 0.5 Pitch
11	Length	12.00 mm
12	Lens Construction	1 Aspheric ,1 Glass Lenses & I.R filter (Total 3 Elements)

[Return to Table of Contents](#)

[Return to Model List](#)

Argus International, Ltd.

AIL46056IG1



SPECIFICATION

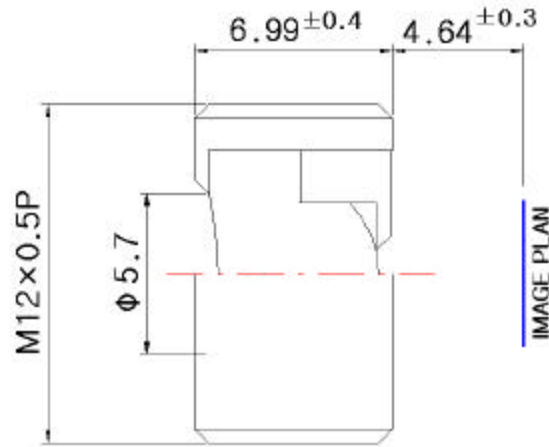
No	Model : AIL46056IG1	
1	Sensing Area	1/4 ''
2	Full Field Angle	56°
3	Optical Distortion	-5.78 %
4	Focal Length	4.63 mm
5	Back Focal Length	4.95 mm
6	Flange Back Length	2.5 mm
7	F/#	2.8
8	Iris	Fixed
9	Focus Extension	10 mm ~ ∞
10	Diameter (Thread)	M12 \times 0.5 Pitch
11	Length	12.33 mm
12	Lens Construction	1 Aspheric ,1 Glass Lenses & I.R filter (Total 3 Elements)

[Return to Table of Contents](#)

[Return to Model List](#)

Argus International, Ltd.

AIL39092SG1



SPECIFICATION

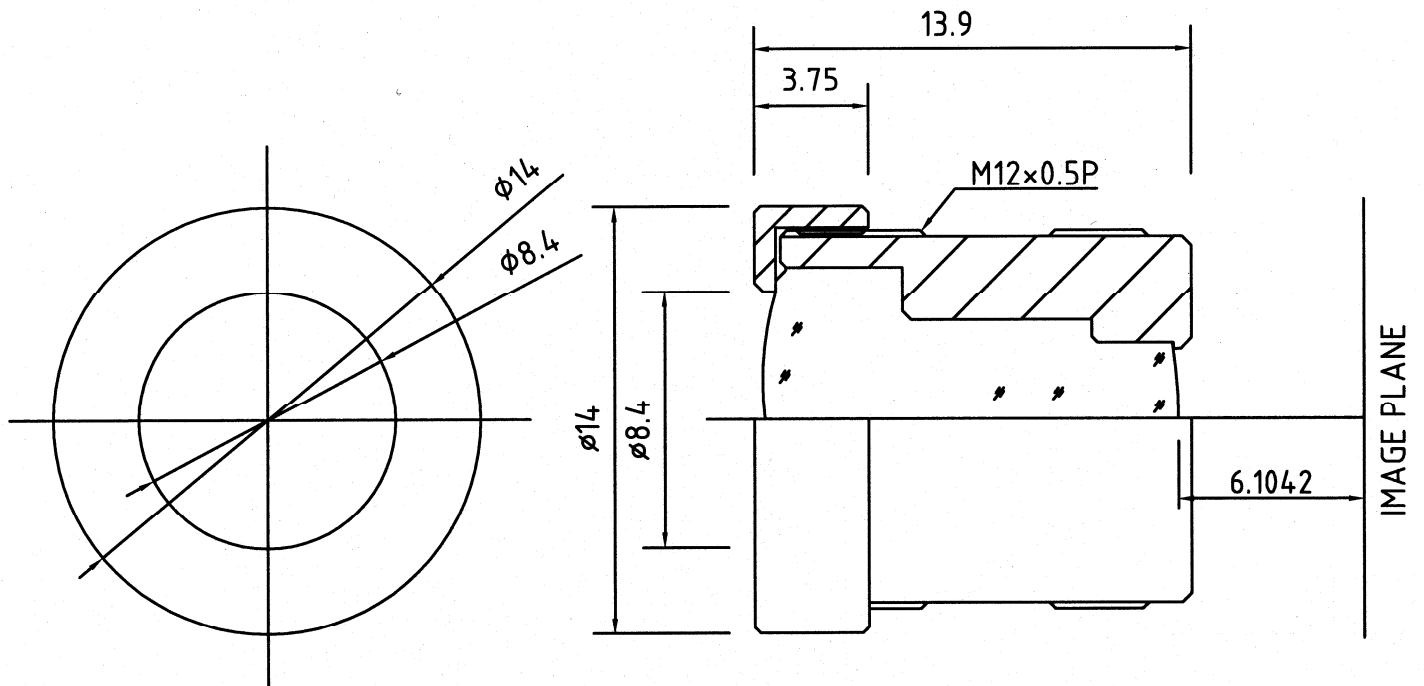
No	Model : AIL39092SG1				
1	Sensing Area	F 6.0	F 4.0	F 3.6	F 3.4
2	Full Field Angle	95.4deg	60.6deg	54.3 deg	51.2 deg
3	Optical Distortion	-29.1%	-11.2%	-8.81%	-2.97%
4	TV Distortion	-10.0%	-4.36%	-3.39%	-2.97%
5	Focal Length	3.90 mm			
6	Back Focal Length	5.11 mm			
7	Flange Back Length	4.64 mm			
8	F/#	2.4 , 2.8			
9	Iris	Fixed			
10	Focus Extension	10 mm ~ ∞			
11	Diameter (Thread)	M12 × 0.5 Pitch			
12	Length	6.99 mm			
13	Lens Construction	1 Aspheric & 1 Glass Lenses (Total 2 Elements)			

[Return to Table of Contents](#)
[Return to Model List](#)

Argus International, Ltd.

1. Model	AIL3720Q1
2. Focal Length	3.7mm
3. View Angle	(1/3")92°
4. Aperture (Fixed Iris)	F#2.0
5. Back Focal Length	6.1042mm
6. Lens Construction	3Group/4Elements
7. Lens Dimension	∅14 × 13.9mm
8. Mount Dimension	M12 × 0.5P

External dimensions are flexible according to customer's requirements

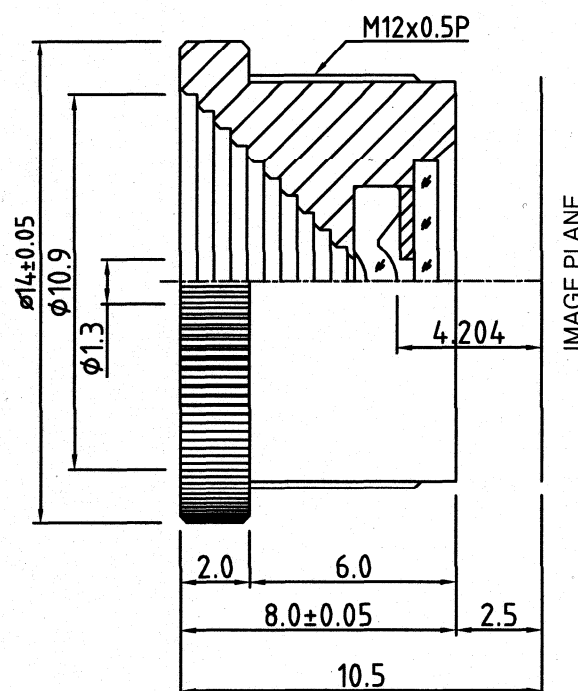
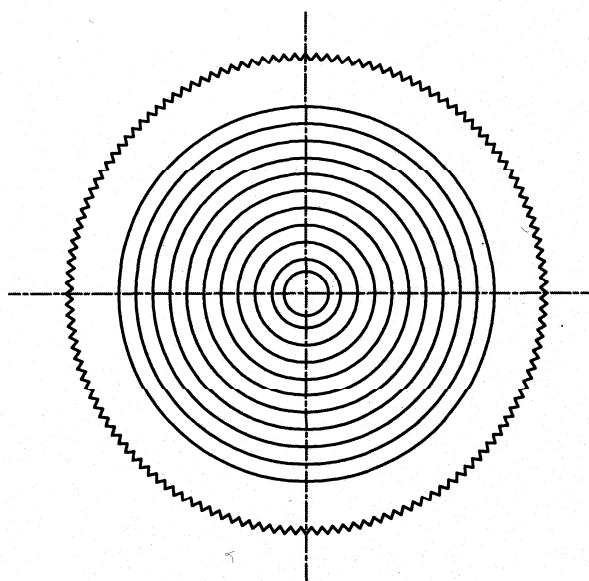


[Return to table of contents](#)

[Return to model list](#)

1. Model	AIL3731
2. Focal Length	3.7mm
3. View Angle	63°(1/4") ; 52°(1/5")
4. Aperture (Fixed Iris)	F# 3.1
5. Back Focal Length	4.204mm
6. Lens Construction	1Group/1Elements
7. Lens Dimension	ø14 x 8.0mm
8. Mount Dimension	M12 x 0.5P

External Dimensions are Flexible According to Customer's Requirement



[Return to table of contents](#)
[Return to model list](#)



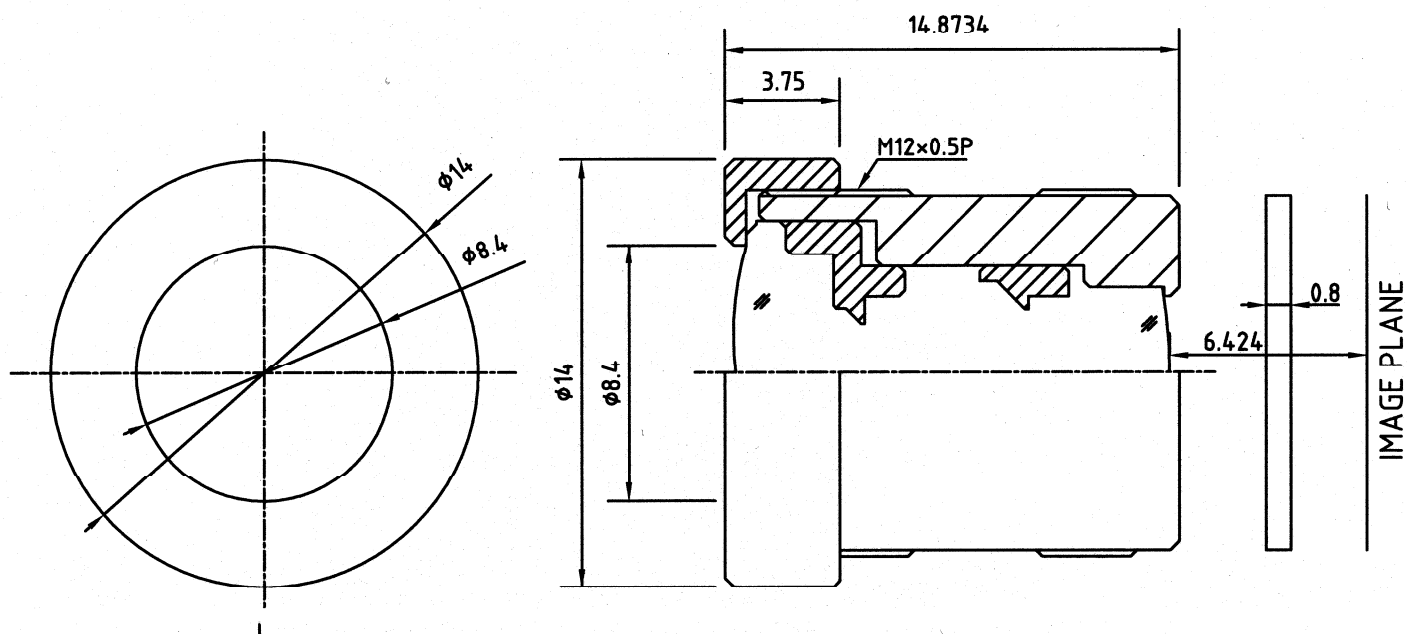
ARGUS

INTERNATIONAL, LTD.

PRECISION OPTICS MANUFACTURING

1. Model	AIL4020Q
2. Focal Length	4.0mm
3. View Angle	(1/3") 101°
4. Aperture (Fixed Iris)	F#2.0
5. Back Focal Length	6.424mm
6. Lens Construction	3Group/4Elements
7. Lens Dimension	$\phi 14 \times 14.8734$
8. Mount Dimension	M12 \times 0.5P

External Dimensions are Flexible According to Customer's Requirement

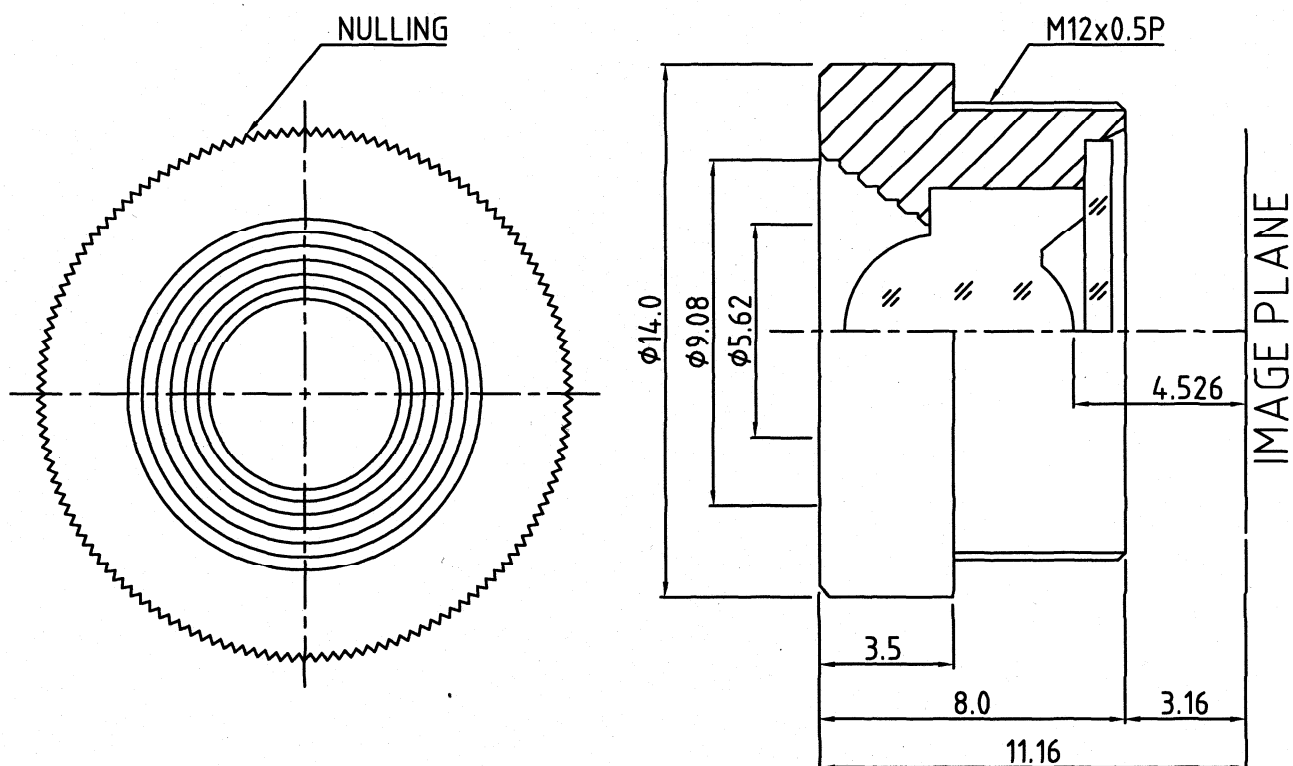


[Return to table of contents](#)

[Return to model list](#)

1. Model	AIL4022
2. Focal Length	4.0mm
3. View Angle	60° (D=4.6mm)
4. Aperture (Fixed Iris)	F#2.2
5. Back Focal Length	4.526mm
6. Lens Construction	2Group/2Element
7. Lens Dimension	∅14 × 8.0mm
8. Mount Dimension	M12 × 0.5P

External Dimensions are Flexible According to Customer's Requirement

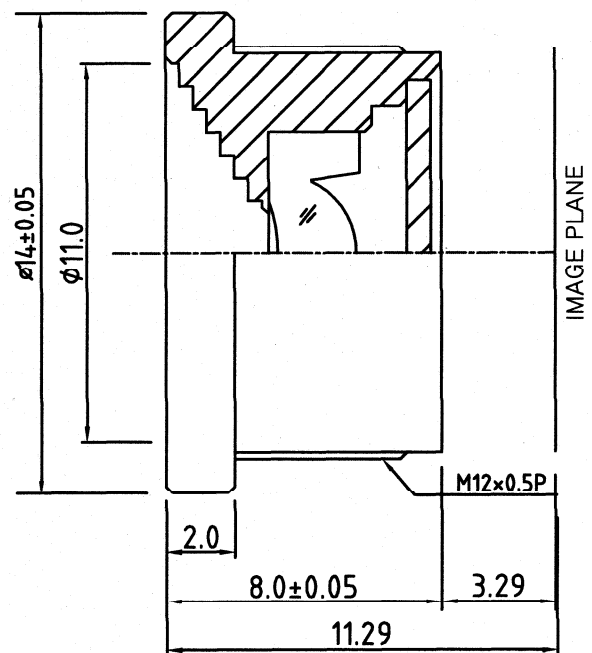
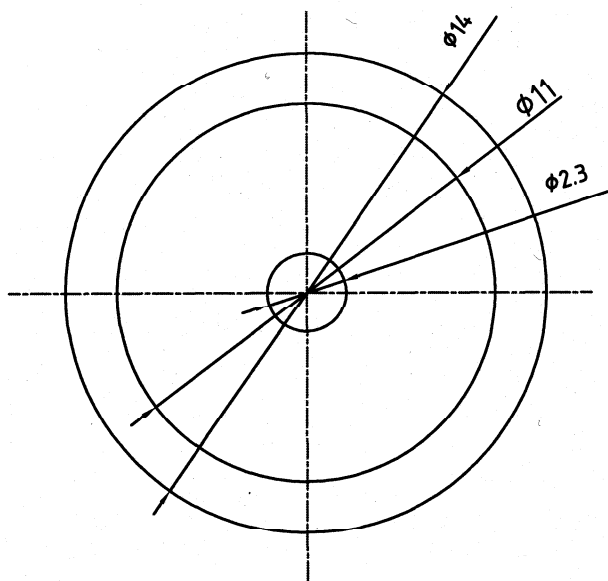


[Return to table of contents](#)

[Return to model list](#)

1. Model	AIL4725D
2. Focal Length	4.7mm
3. View Angle	1/4" , 48°
4. Aperture (Fixed Iris)	F# 2.5
5. Back Focal Length	5.7426mm
6. Lens Construction	Single Element
7. Lens Dimension	∅14 x 8.0mm
8. Mount Dimension	M12 x 0.5P

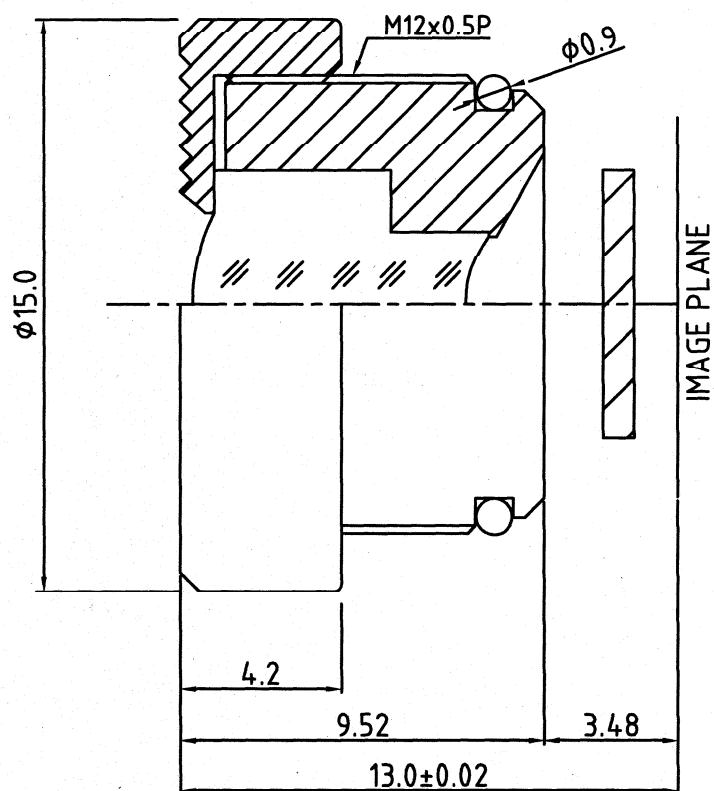
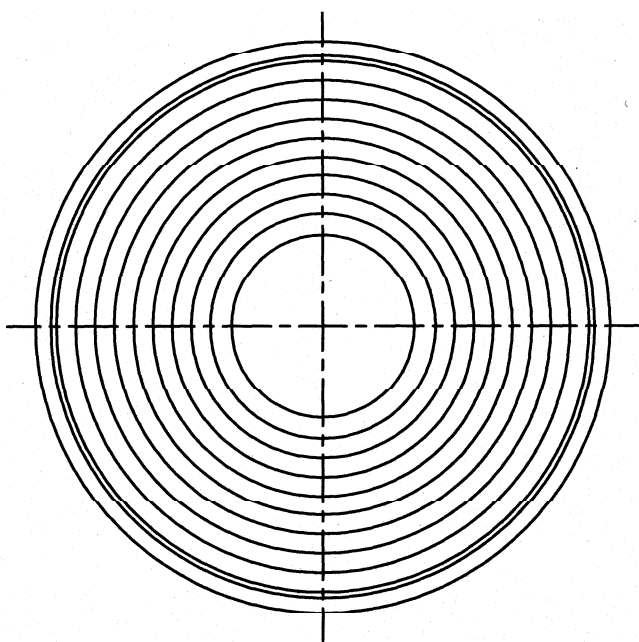
External Dimensions are Flexible According to Customer's Requirement



[Return to table of contents](#)
[Return to model list](#)

1. Model	AIL5425
2. Focal Length	5.4mm
3. View Angle	60° (SONY1/4"), (D=6.0mm)
4. Aperture (Fixed Iris)	F#2.5
5. Back Focal Length	5.5359mm
6. Lens Construction	4Group / 4Elements
7. Lens Dimension	φ15 × 9.52mm
8. Mount Dimension	M12 × 0.5P

External Dimensions are Flexible According to Customer's Requirement

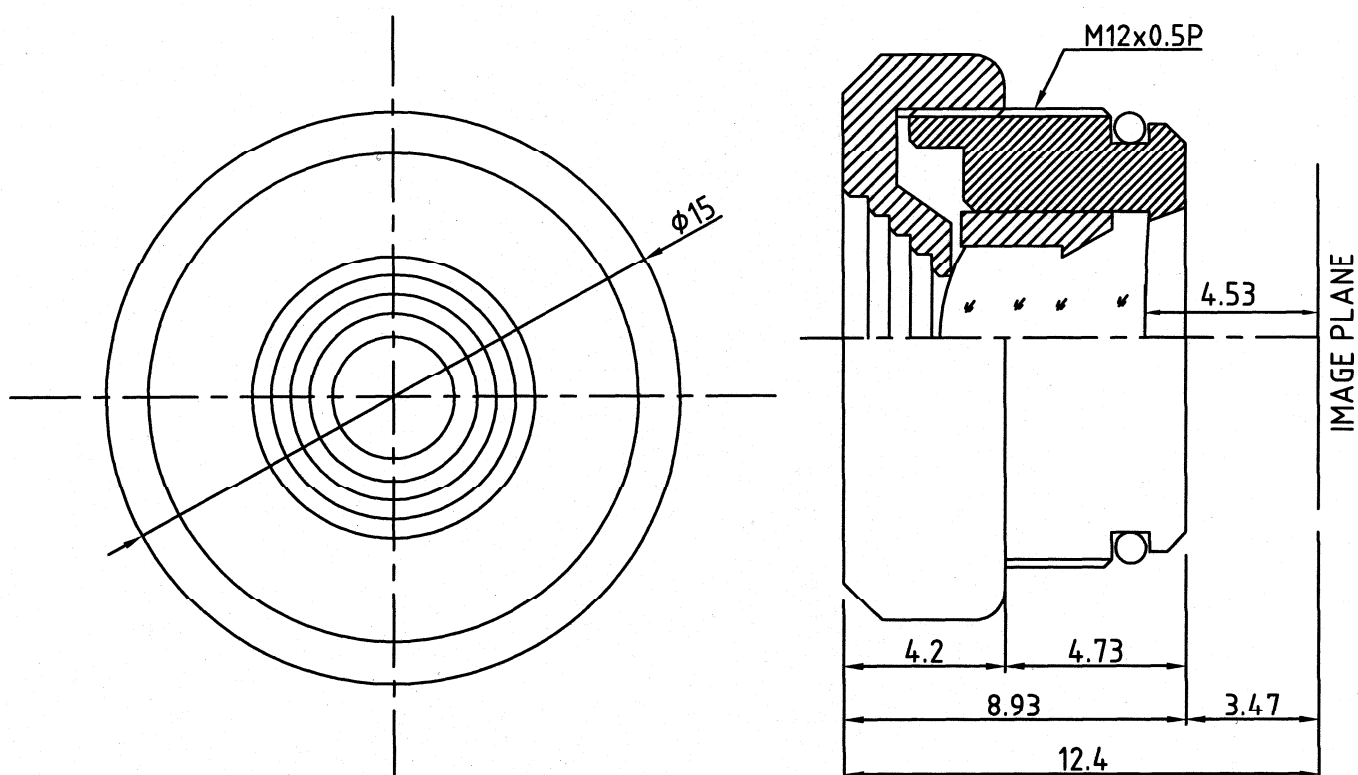


[Return to table of contents](#)

[Return to Model List](#)

1. Model	AIL6226
2. Focal Length	6.2mm
3. View Angle	53 (SONY1/4")
4. Aperture (Fixed Iris)	F#2.6
5. Back Focal Length	4.53mm
6. Lens Construction	4Group / 4Elements
7. Lens Dimension	φ15 × 8.93mm
8. Mount Dimension	M12 × 0.5P

External imensions are Flexible Accoring to Customer's Requirement

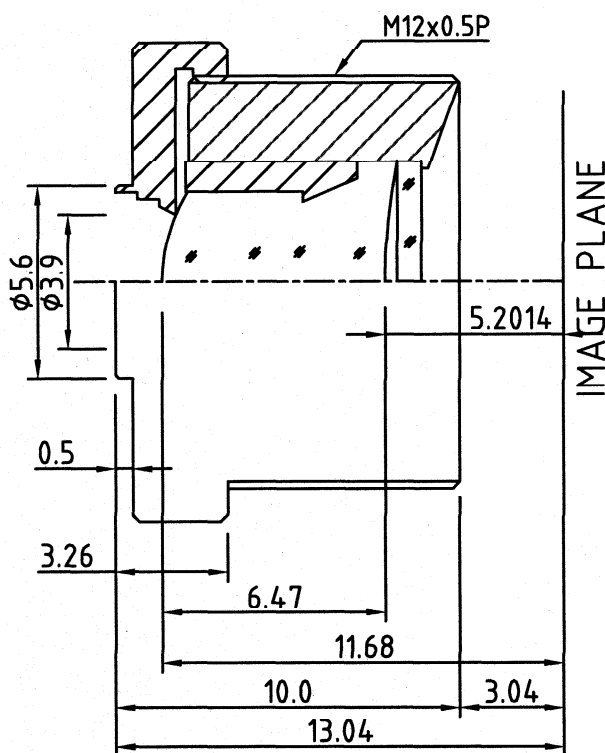
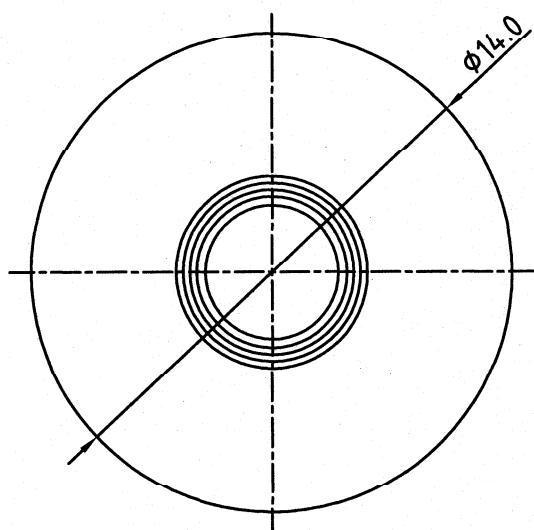


[Return to table of contents](#)

[Return to model list](#)

1. Model	AIL7720Q
2. Focal Length	7.8mm
3. View Angle	49.5° (D=7.2mm)
4. Aperture (Fixed Iris)	F#2.0
5. Back Focal Length	5.2014mm
6. Lens Construction	4Group/4Element
7. Lens Dimension	∅14 × 10.0mm
8. Mount Dimension	M12 × 0.5P

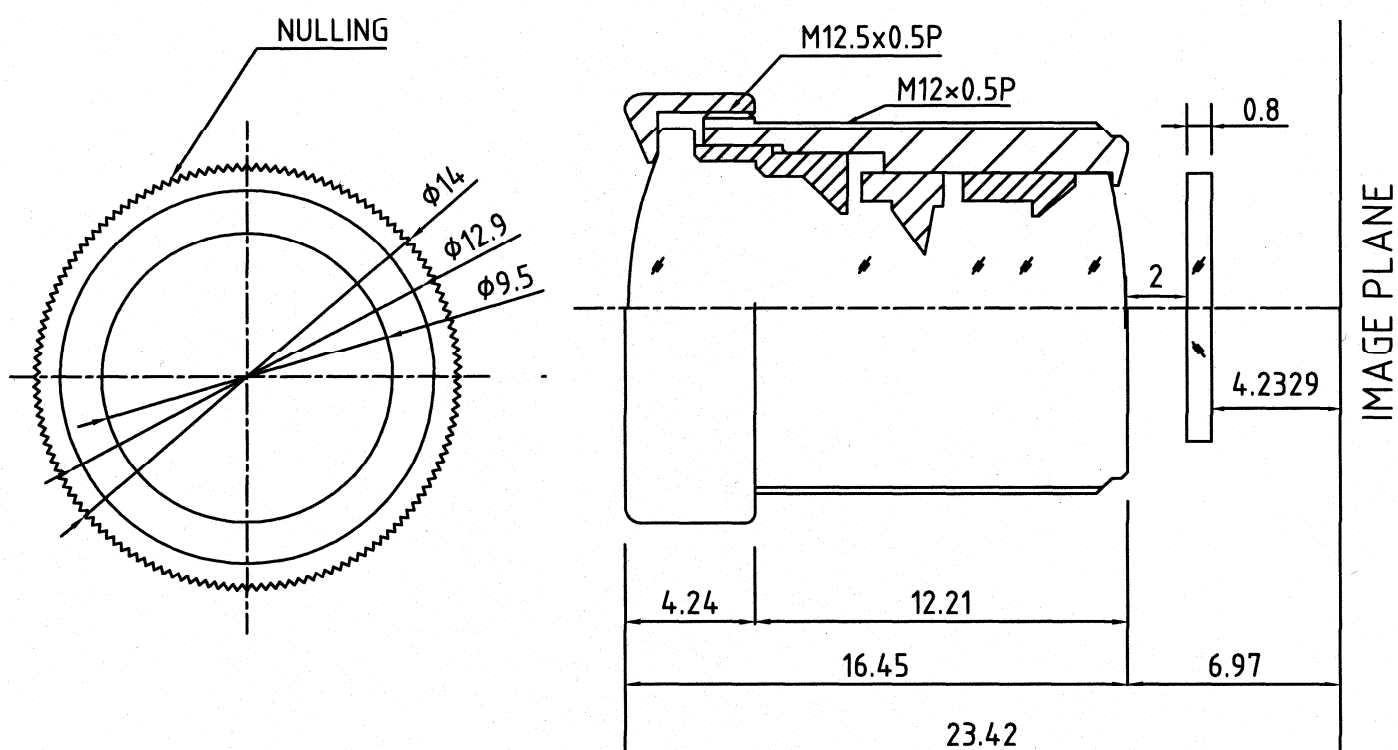
Extetnal Dimensions are Flexible According to Customer's Requirement



[Return to Table of Contents](#)
[Return to Model List](#)

1. Model	AIL7820PT
2. Focal Length	7.8mm
3. View Angle	55°(D=8mm) , 49° (D=7.2mm)
4. Aperture (Fixed Iris)	F#2.0
5. Back Focal Length	7.276
6. Lens Construction	5Group/5Elements
7. Lens Dimension	∅ 14 × 16.45mm
8. Mount Dimension	M12 × 0.5P

External Dimension are Flexible According to Customer's Requirement

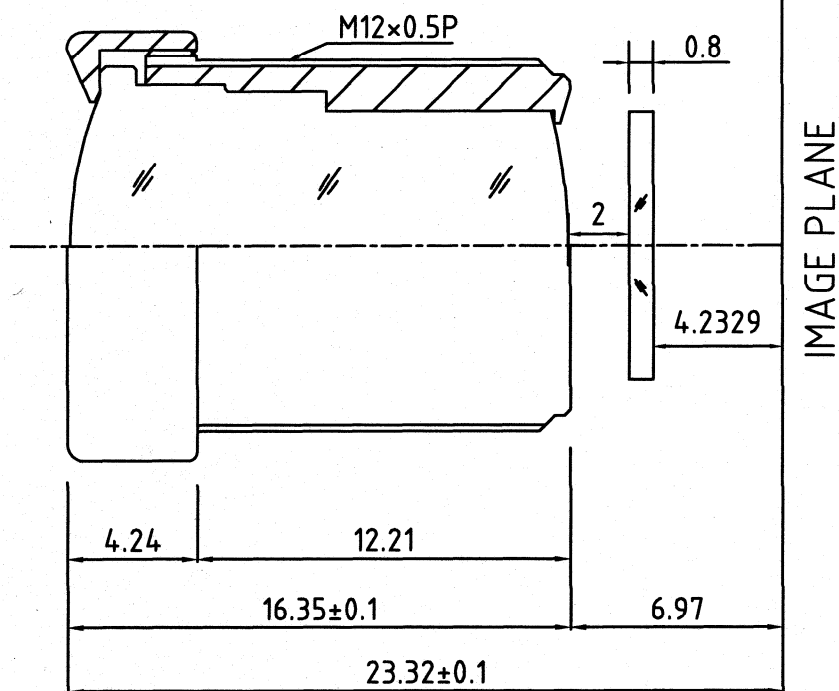
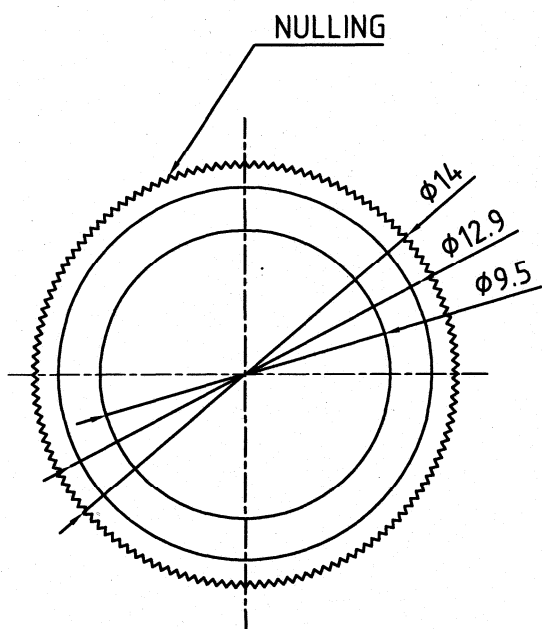


[Return to table of contents](#)

[Return to model list](#)

1. Model	AIL7828PT
2. Focal Length	7.8mm
3. View Angle	55° (1/2"), 49° (1/3")
4. Aperture (Fixed Iris)	F#2.8
5. Back Focal Length	7.27mm
6. Lens Construction	5Group/5Elements
7. Lens Dimension	∅ 14 × 16.35mm
8. Mount Dimension	M12 × 0.5P

External Dimension are Flexible According to Customer's Requirement

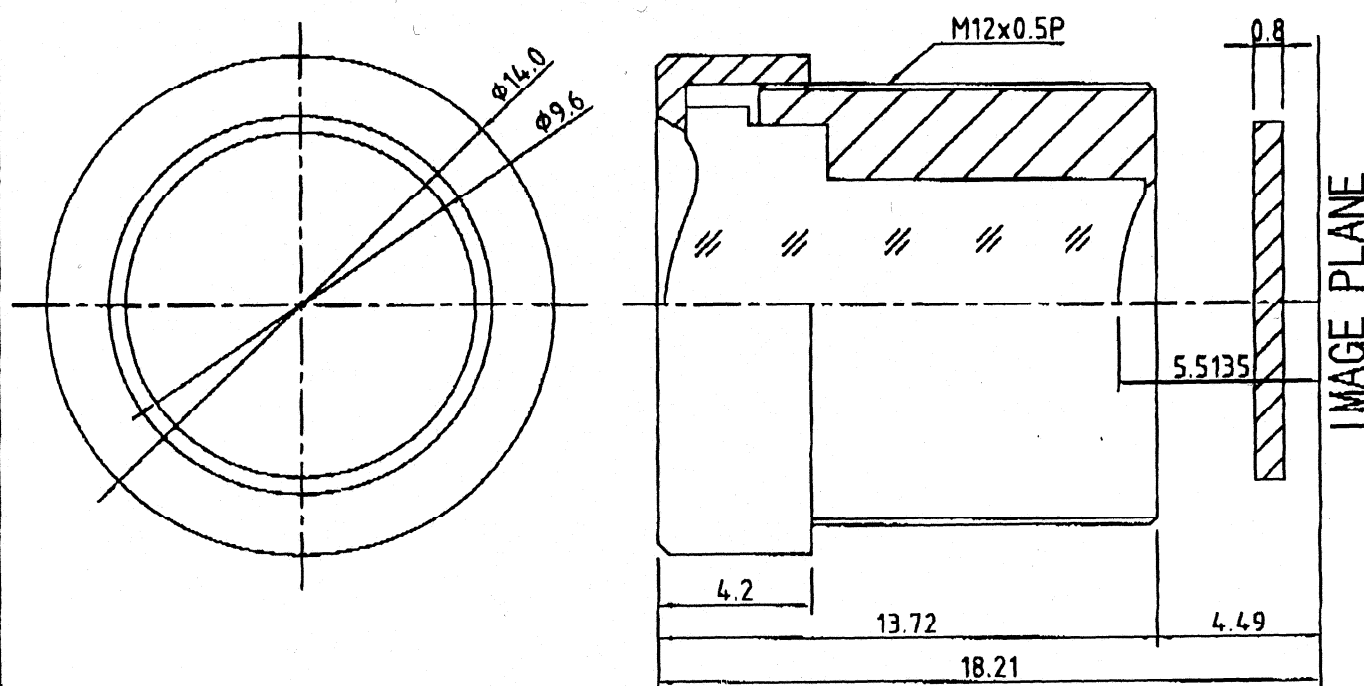


[Return to Table of Contents](#)
[Return to Model List](#)

PRECISION OPTICS MANUFACTURING

1. Model	AIL9026
2. Focal Length	9.0mm
3. View Angle	57° (D=10.0mm)
4. Aperture (Fixed Iris)	F# 2.6
5. Back Focal Length	5.5135mm
6. Lens Construction	5Group/5Elements
7. Lens Dimension	ø14 x 13.92mm
8. Mount Dimension	M12 x 0.5P

External Dimensions are Flexible According to Customer's Requirement



[Return to Table of Contents](#)

[Return to Model List](#)



PRECISION OPTICS MANUFACTURING

Contact information:

Address:

Argus International, Ltd.
5403 Scotts Valley Dr.
Suite C
Scotts Valley, Ca. 95066
U.S.A.

Telephone:

(831) 461 – 4700
(800) 862 - 7487

Fax Phone:

(831) 461 – 4701

Web Address:

www.argusinternaitonal.com

E-mail:

James Walsh
jamesw@argusinternaitonal.com
Production Manager
Argus International, Ltd.

Jonathan Connelly
jonathan@argusinternational.com
Sales/Marketing Manager
Argus International, Ltd.

[Return to table of contents](#)

[Return to title page](#)